

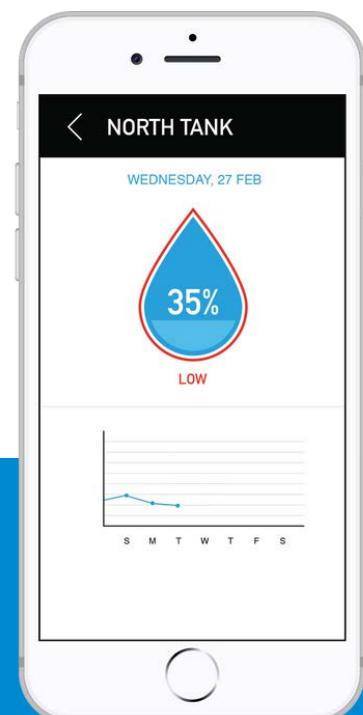


## Tank Level Sensor

- Continuously monitor tank levels with pinpoint accuracy
- Get notified if tank levels are running low
- Identify leaks, blockages and pump failures
- Reduce wasted time travelling to check tank levels

## Internet Connected

- Remote access from your smartphone, tablet, or computer
- Receive notifications for high, low, and rapidly changing levels
- Manage multiple tanks and share access with others



Install it yourself using the Waterwatch mobile app



## Tank Level Sensor Features

The T35 is a high accuracy radar sensor designed specifically to measure liquid level in tanks. The T35 is easy to install with 4 self tapping screws and a handy mobile app. Hard wearing and non-corrosive the T35 is the master of tank management.



## Technical Specifications

### RADIO

Bluetooth Low Energy

2.4/2.483GHz:0dB

Sigfox RC4

920-923MHz:<24dB

LTE Cat M/NB-IoT

700MHz:<24dB

### ENVIRONMENT

Protection

IP67

Operation temperature

-40°C to +85°C

Recommended storage temperature

+15°C to +25°C

### BATTERY

Life

3-10 years

Type

3.6v Lithium primary

Capacity

7Ah

### SENSOR PARAMETERS

Technology

60GHz pulsed radar

Measurement range

3.5m

Accuracy

0.2%

Resolution

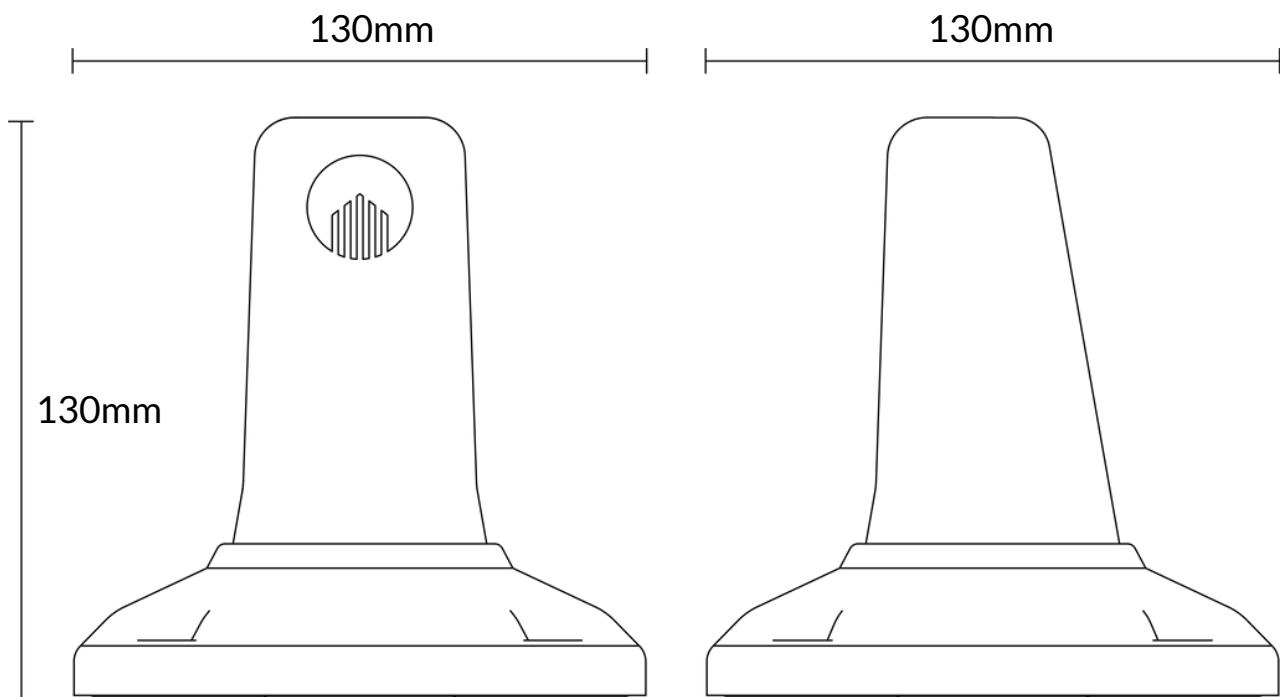
1mm

Beam pattern, Half Power Bandwidth

14° HPBW

**PHYSICAL CHARACTERISTICS**

Dimensions	130x130mm
Weight	240g
Enclosure material	Polycarbonate + PBT
Mounting	M4 screw

**PART NUMBER DESCRIPTOR**

T35-RCZ4	
Model [T35]	Tank level sensor
Radio option [RCZ4]	Sigfox region 4

**AVAILABLE PART VARIANTS**

T35-RCZ4	Sigfox region 4
T35-CEL	LTE M/NB-IoT band 28

<http://waterwatch.io>

Waterwatch is a Tussock Innovation brand.  
Tussock Innovation 2013 Ltd,  
94B Crawford St, Dunedin, 9016, New Zealand.  
Tel: +64 3 477 2779

[info@waterwatch.io](mailto:info@waterwatch.io)



## ABOUT WATERWATCH

Waterwatch is a Tussock Innovation brand dedicated to providing tools for better management of precious water resources, and helping society adapt to a changing environment. The Waterwatch system generates insights for scientists, farmers and municipalities via a blend of elegant, functional, and robust hardware and software.

Launched in March 2019 the T35 tank level sensor is the most recent product in the Waterwatch portfolio and is the first IoT based product of its type globally. Designed for long term field deployment the T35 tracks changes in tank liquid levels with a highly accurate 60GHz radar. This non-invasive, non-corrodible sensor allows the T35 to be deployed in a broad range of installation types from water to chemical and fuel tanks. User control of the T35 is provided via native iOS, Android and Web apps. Sensor data is communicated directly to the web, and used to provide time critical alerts and level storage information. The Waterwatch T35 system enables third party vendors to provide value added insights like delivery requests and vehicle route optimisation via secure third party API and Webhook access.

